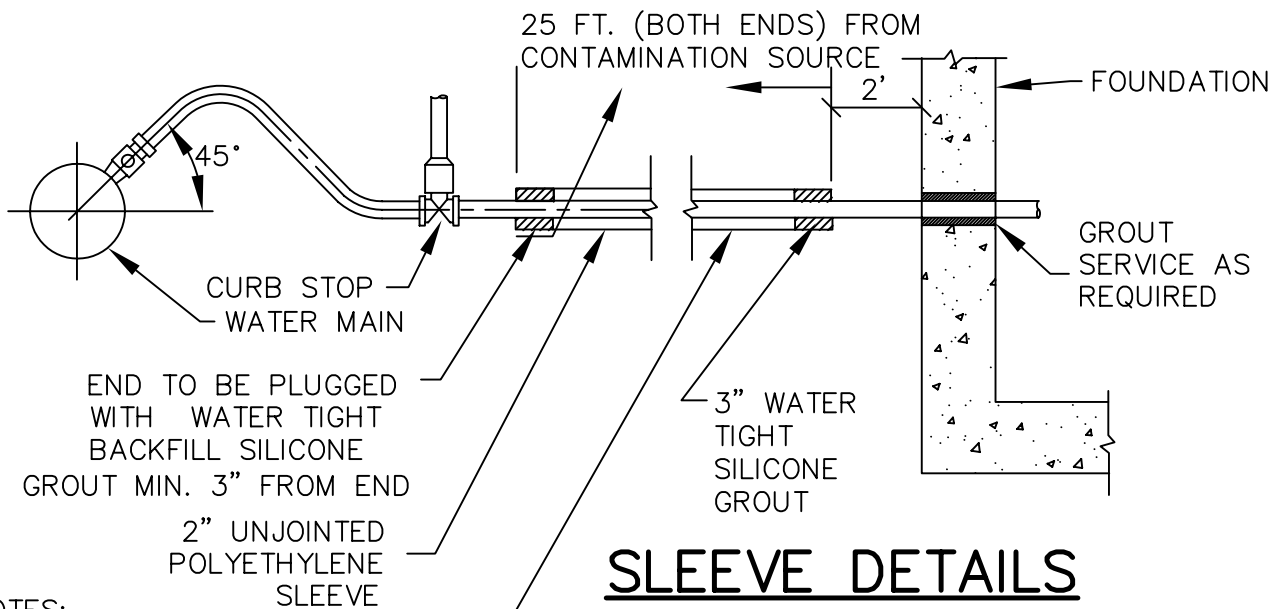


TRENCH DETAIL



SLEEVE DETAILS

NOTES:

- 1.) 12' COPPER WHIP REQUIRED POLYETHYLENE MAY NOT BE SUITABLE.
- 2.) EXISTING SYSTEM ONLY. NOT TO BE USED FOR NEW CONST. MUST OBTAIN PRIOR APPROVAL FROM KCWA GENERAL MANAGER/ CHIEF ENGINEER.

KCWA
"proudly serving"

KENT COUNTY WATER AUTHORITY
WATER SERVICE WITHIN 25 FT.
OF CONTAMINATION SOURCE

NOT TO SCALE

DATE: 09/2006